



SCHEDA TECNICA TECHNICAL DATA SHEET

CODE 045.D040.G

Rev. 00

Date 06.10.2010

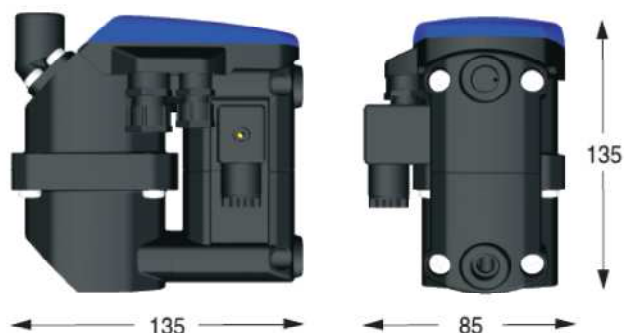
DRAINS

ZERO 4, ZERO 8, ZERO 12, ZERO 20

SCARICATORI

Model	ZERO 4	ZERO 8	ZERO 12	ZERO 20
Modello				
Compressor Capacity (m3/h)	400	800	1200	2000
Portata compressore (m3/h)				
Dryer Capacity (m3/h)	800	1600	2400	4000
Portata essiccatore (m3/h)				
Filter Capacity (m3/h)	1200	8000	12000	20000
Portata filtro (m3/h)				
Min./Max. Operating pressure (bar)	0,8/16	0,8/16	0,8/16	0,8/16
Min./Max. Pressione				
Min./Max. Operating temperature (°C)	1/60	1/60	1/60	1/60
Inlet connection (")	1/2	1/2	1/2	1/2
Conessioni (")				
Outlet connection (")	1/4	1/4	1/4	1/4
Conessioni (")				
Power supply (V/Ph/Hz) std	230/1/50	230/1/50	230/1/50	230/1/50
Power supply (V/Ph/Hz) optionals	115/1/60	115/1/60	115/1/60	115/1/60
	24/1/50-60	24/1/50-60	24/1/50-60	24/1/50-60
Weight (kg)	0,80	0,80	0,95	0,95
Peso (kg)				
Code	045.D040.G.0	045.D040.G.1	045.D040.G.2	045.D040.G.3
Codice				

ZERO4 / ZERO8/ ZERO4F



ZERO12 / ZERO20/ ZERO12F

